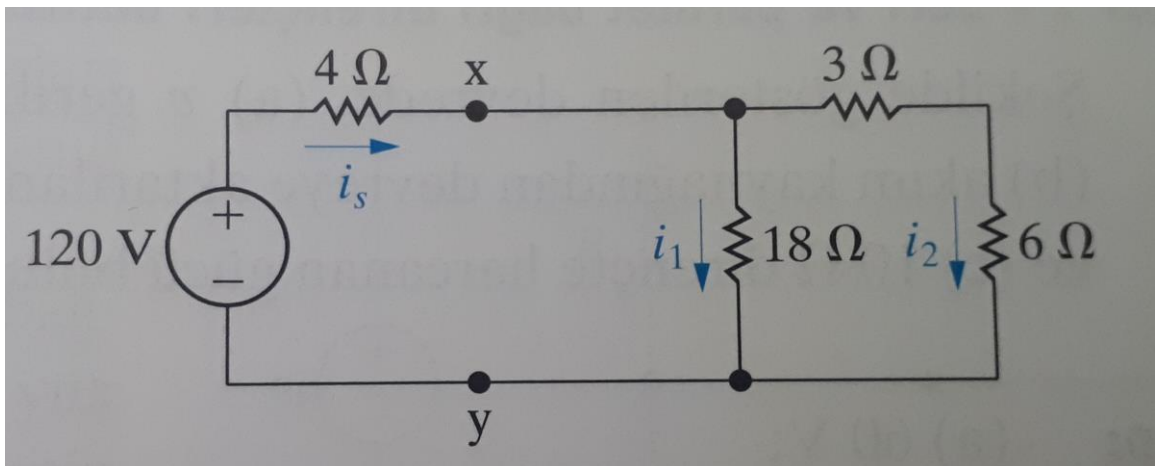


Deadline: 25. 10. 2019



ECE 281 - Electrical Circuits And Instrumentation + Lab
LABORATORY HOMEWORK 1

1)



- A)** In the above circuit, Calculate the currents of I_s, I_1, I_2 , and the voltages of V_1, V_2 , theoretically.
- B)** In the above circuit, Measure the currents of I_s, I_1, I_2 , and the voltages of V_1, V_2 in ORCAD program.